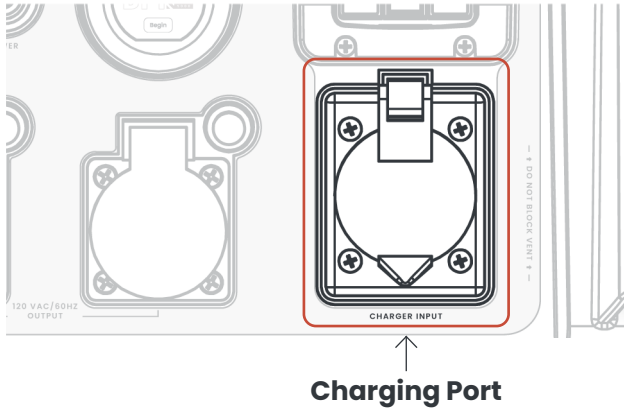


## Charging

**When you receive your Batt Pack, charge it straight away.**

Insert an extension cord into the charging port with the unit off or on. Use a minimum 12AWG (4 mm<sup>2</sup>). The gauge will turn yellow if the unit is off indicating the charging process has commenced and will remain yellow even when it is full.



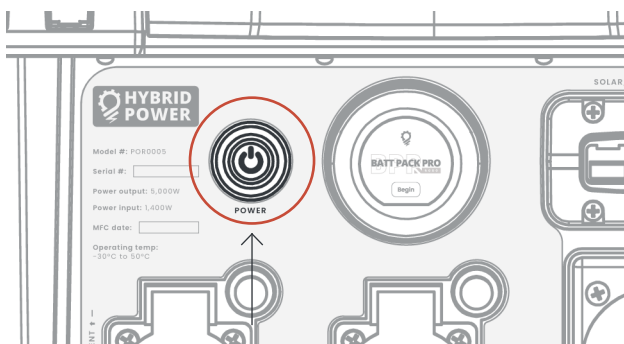
Unit should be stored at full charge and should be recharged every month (max 3 months).

It is safe to leave the unit plugged in to charge indefinitely with little abuse to the battery.

**Always charge after fully discharging the unit (within 48 hours)**

## Turning on your Batt Pack Pro

- Press the POWER button.
- The display will show the welcome screen when it is on and ready to use.
- Press "BEGIN" to see more options.



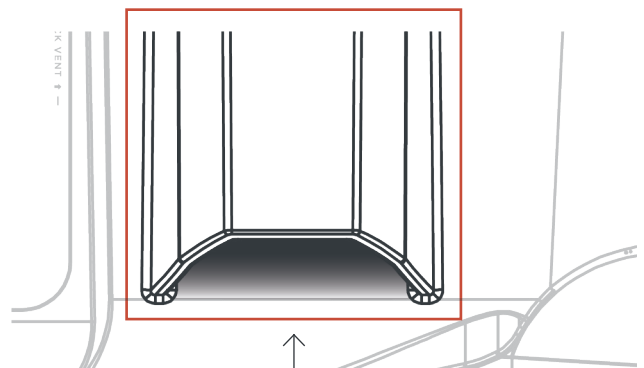
**Power Switch**

## Maintenance

**No maintenance is required unless used in a dusty location**

Temporary dust filters should be used in dusty locations which can be removed and cleaned after use. They should not be used for prolonged periods of time. A vacuum can be inserted in the vent holes (shown below) to clean out dust. This should be done once per year.

## Warnings



**Vent for dust filters and vacuuming**

Do not put fingers and/or any other object into the units plugs

Never open the unit case

The Batt Pack should only be washed down with soap and water, never with a high pressure jet or hose

Do not expose to temperatures outside the range of -30°C to 50°C.

To minimize any adverse effects on battery performance it is recommended that the system be kept at room temperature (20°C +/- 5°C). Low or elevated temperatures can result in shortened cell life.

Keep out of reach of children.

**REFER TO THE MANUAL FOR FULL LIST OF WARNINGS.**

You can visit:  
<https://hybridps.ca/pages/download>  
 to access our latest editions of user manuals.