

The Single-phase battery charger CHFC-1 is an innovative device with extraordinary versatility, reliability and efficiency. Different software may be installed in order to change the charging features and to adapt them to every kind of battery. The reduced size of this model allows both installation on a wall, and on-board. Consequently the battery can be recharged from any available outlet, without driving the machine to a specific charging area.

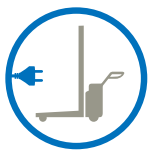
Technical Features

SINGLE PHASE BATTERY CHARGER MODEL CHFC-1

- Input Voltage: **230 VAC** \pm 10 %
115 VAC \pm 10 %
- Input frequency: 50 - 60 Hz
- Efficiency: > 85 %
- Minimum power absorbed: < 5 W
- Current absorbed by the battery: < 0.2 mA
- Operating temperature: from - 20 to + 50 °C
- Output short-circuit protection (fuse)
- Inverse polarity protection (fuse)
- Charging curve: programmable
- Accuracy on output voltage: \pm 0,5 %
- Thermal compensation of battery voltage (optional with thermal sensor)
- Acoustic alarm
- Auxiliary contacts of main presence and end of charge (Standard Charger) or of air pump control and end of charge (Charger with air pump)
- Cooling: forced
- Case: Metal base, cover in self-extinguishable ABS
- Size: 300 x 160 x 80 mm
- Weight: 2,2 kg
- Enclosure class: IP20
- **CE** In conformity with the requirements of the Low Voltage Directive and of the Directive EMC.



Battery Voltage	Charging time			Type	VAC	I1	IMAX	Mains
	7÷8,5 h	9÷11 h	12÷13 h					
12	240-360	400-480	520-560	12V 60A*	230	50	60	5
24	145-215	240-290	310-335	24V 35A*	230	30	36	7
24	180-270	300-360	390-420	24V 45A*	230	37,5	45	8
36	95-145	160-190	210-225	36V 25A	230	20	24	6
48	85-130	145-175	185-200	48V 22A	230	18	21,6	6
72	50-70	80-95	105-110	72V 12A	230	10	12	6



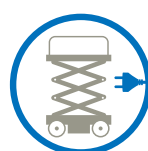
pallet trucks



electric vehicles



industrial cleaning machines

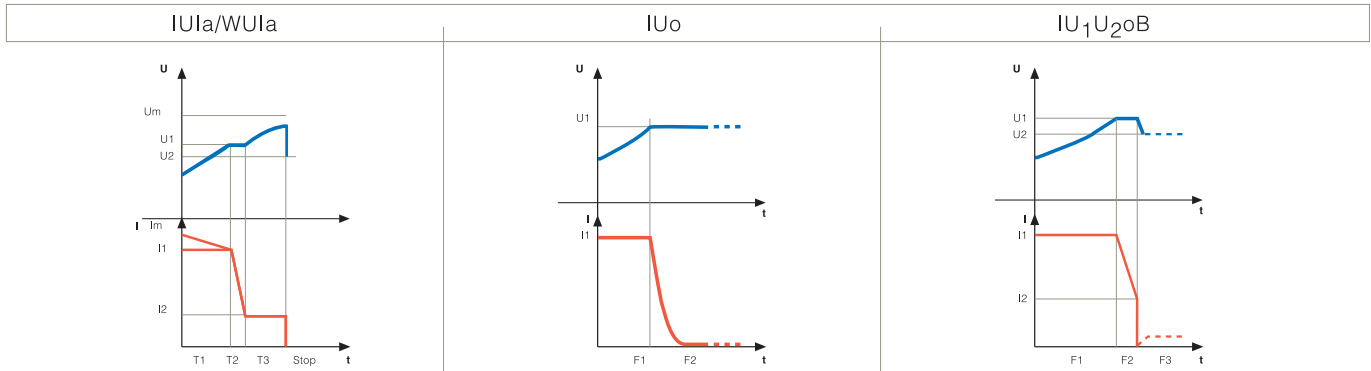


platforms



nautica / boating

Main charging curves



More and different charging curves are available for special batteries and non-standard applications.

Accessories

1 | **cod. P14004** - 300 cm

KIT LED EXTENSION d 10 - Displays the charging phase of the Charger (fixing hole d 14mm).



2 | **cod. P13003** - 200 cm
cod. P13007 - 400 cm

REMOTE INDICATOR d 20 - Displays the charging phase of the charger (fixing hole d 22 mm).



3 | **cod. P13005** - 200 cm
cod. P13013 - 500 cm (standard)
cod. P13005A - 10 m

THERMAL SENSOR - Controls the charging voltage depending on the battery temperature.



4 | **cod. P14009** - 200 cm

THERMAL SENSOR AND LED INDICATOR d 10, (fixing hole d 14 mm).

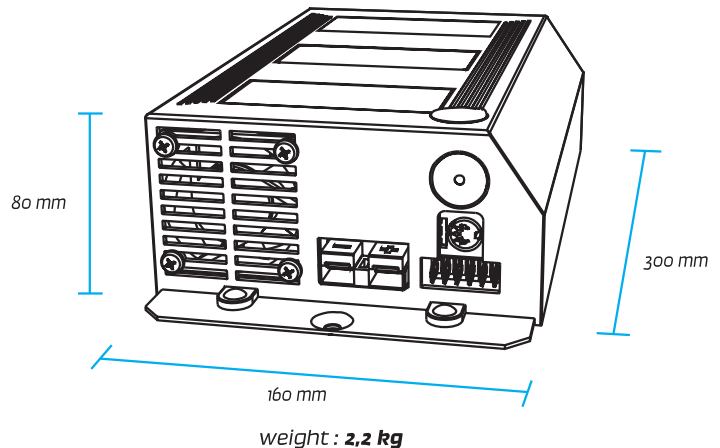


5 | **cod. P13004** - 200 cm
cod. P13004A - 10 m

THERMAL SENSOR AND REMOTE INDICATOR d 20 (fixing hole d 22 mm).



HIGH FREQUENCY BATTERY CHARGERS



Cantec
Systems

Your Power Solutions Specialists

1573 LAPERRIERE AVENUE OTTAWA ON K1Z 7T3

OTTAWA
Tel: 613-725-3704
Fax: 613-725-0490

TORONTO:
Tel: 613-725-3704
Fax: 613-725-0490

VANCOUVER:
Tel: 604-736-4922
Fax: 604-736-1074

A DIVISION OF CANTEC REPRESENTATIVES