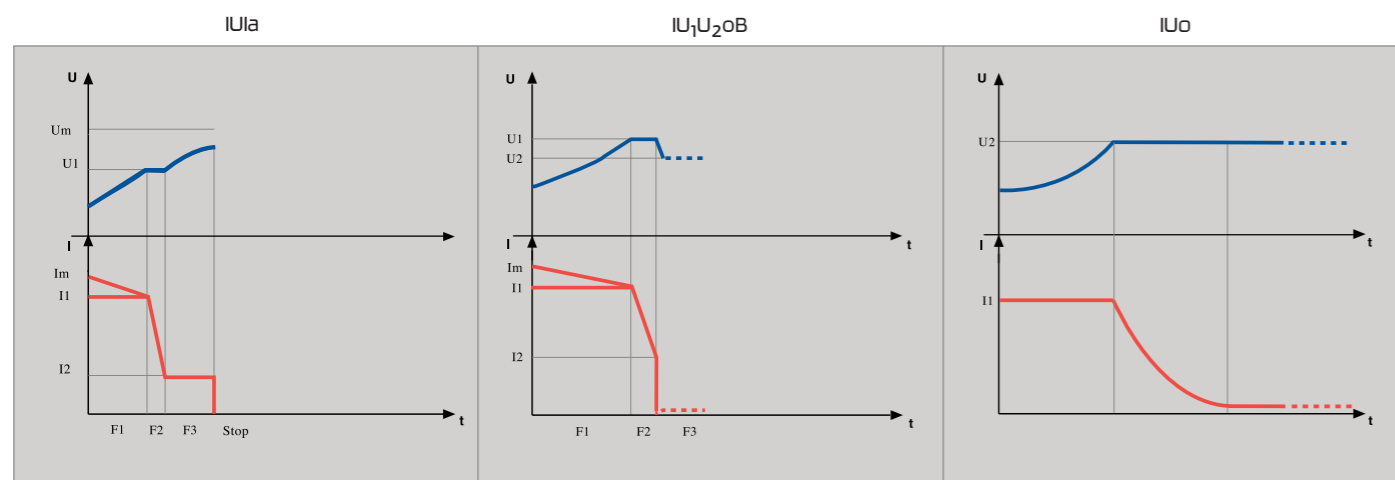


Battery Voltage	VAC	Charging time			Type	I1 230 VAC	I1 120 VAC	Mains
		7÷8,5 h	9÷11 h	12÷13 h				
24	230 120	320 ÷ 575 160 ÷ 290	640 ÷ 770 320 ÷ 385	830 ÷ 895 415 ÷ 450	24V 80	80	50	11/14
36	230 120	240 ÷ 430 120 ÷ 215	480 ÷ 576 240 ÷ 285	624 ÷ 672 310 ÷ 330	36V 60	60	30	13
48	230 120	200 ÷ 360 100 ÷ 180	400 ÷ 480 200 ÷ 240	520 ÷ 560 260 ÷ 280	48V 50	50	25	14
72	230 120	140 ÷ 252 70 ÷ 125	280 ÷ 330 140 ÷ 175	360 ÷ 390 180 ÷ 195	72V 35	35	18	15
80	230 120	120 ÷ 215 60 ÷ 105	240 ÷ 290 120 ÷ 145	310 ÷ 335 155 ÷ 175	80V 30	30	15	14
84	230 120	120 ÷ 215 60 ÷ 105	240 ÷ 290 120 ÷ 145	310 ÷ 335 155 ÷ 175	84V 30	30	15	15
96	230 120	100 ÷ 180 50 ÷ 90	200 ÷ 240 100 ÷ 120	260 ÷ 300 130 ÷ 105	96V 25	25	13	14

Product range under expansion. For further models please contact Zivan S.r.l.

The recharging times are purely indicative and refer to batteries discharged at the 80% of their capacities.

Charging curves specimen



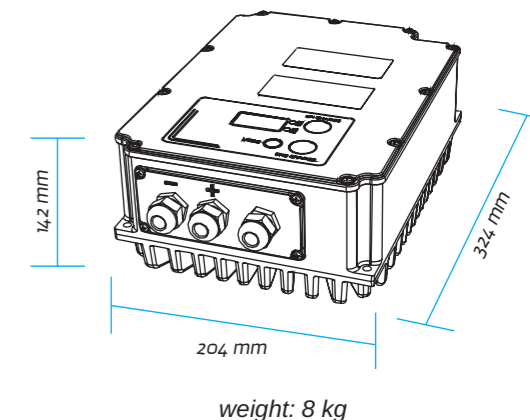
More and different charging curves are available for special batteries and non-standard applications

I1

SG3

ZIVAN
HIGH FREQUENCY BATTERY CHARGERS

Battery Charger - sealed single-phase



The SG3 marks a new revolution of integrating an on-board charger to an electric vehicle platform. The active PFC filter is perfectly suited for applications around the world, accepting a supply voltage from 95 to 265 VAC. The innovative configuration of its heat sink, integrated into the rugged die-cast aluminum IP65 enclosure of the charger, allows for maximum flexibility of installation and extreme working conditions. The SG3 utilizes the latest generation flash microcontroller, which is necessary to handle the multitude of possible charging algorithms installed. The isolated CANBUS interface (2.0) enables integration of the unit into the system architecture of the vehicle. The abundant storage capacity is able to save up to 1K charging cycles, allowing for a complete analysis of the behavior of the battery and use over its lifetime. Last but not least, the SG3 is optimized to allow for high efficiency conversion from standard household sockets, allowing for the charging of all kinds of battery technologies.



ZIVAN
HIGH FREQUENCY BATTERY CHARGERS



ZIVAN SRL
Via Bertona, 63/1
42028 Poviglio RE ITALIA
Tel. +39 0522 960593
Fax +39 0522 967417
info@zivan.it
www.zivan.it

Ed. 1 Rev. 0

SG3

Technical Features

SEALED SINGLE-PHASE BATTERY CHARGER Mod.SG3

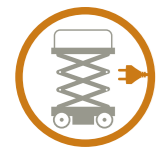
- Universal Input Voltage: 95-265 VAC
- Input frequency: 50-60 Hz
- Power factor: 0,98
- Efficiency: up to 93%
- Absorbed standby power: < 3W
- Absorbed current from the battery: < 0,5 mA
- Output voltage accuracy: $\pm 0,5\%$
- Operating case temperature: -30° to $+70^{\circ}\text{C}$
- Galvanic Insulated CAN-BUS Interface
- Output short-circuit protection
- Inverse polarity protection (fuse)
- Programmable charging curve
- Optional: visualization by display of the parameters: Voltage, Current, charged Ah and Time
- Thermal compensation of battery voltage (optional with external thermal sensor)
- Programmable auxiliary contacts: main presence, charge in progress, air pump function
- Clock Calendar
- Data Logging
- Delayed start
- Able to be paralleled
- Vibration-proof structure
- Die cast aluminium box
- Size: 324x204x142 mm
- Weight: 8 kg.
- Enclosure class: IP65
- External Fan class: IP55
- **CE** In conformity with the requirements of the Low Voltage Directive and of the Directive EMC



wind power turbines



pallet trucks



platforms



electric vehicles



lift trucks



boating



industrial cleaning machines

SG3